

RDC-7.1

Quick Guide

- For full details on using the RDC-7.1, refer to the main instruction manual.

Enjoying Home Theater

Center speaker

Complements the sound effects from front left and right speakers to enrich and clear the sound image and movement. In movies, an actor's speech comes mainly from the center speaker.

- When placing the center speaker above or below the TV, tilt it toward the listener's ears.
- Place the center speaker as close to the screen or monitor as possible and in the center between the left and right front speakers. When placing the center speaker near the TV, use a shielded speaker.

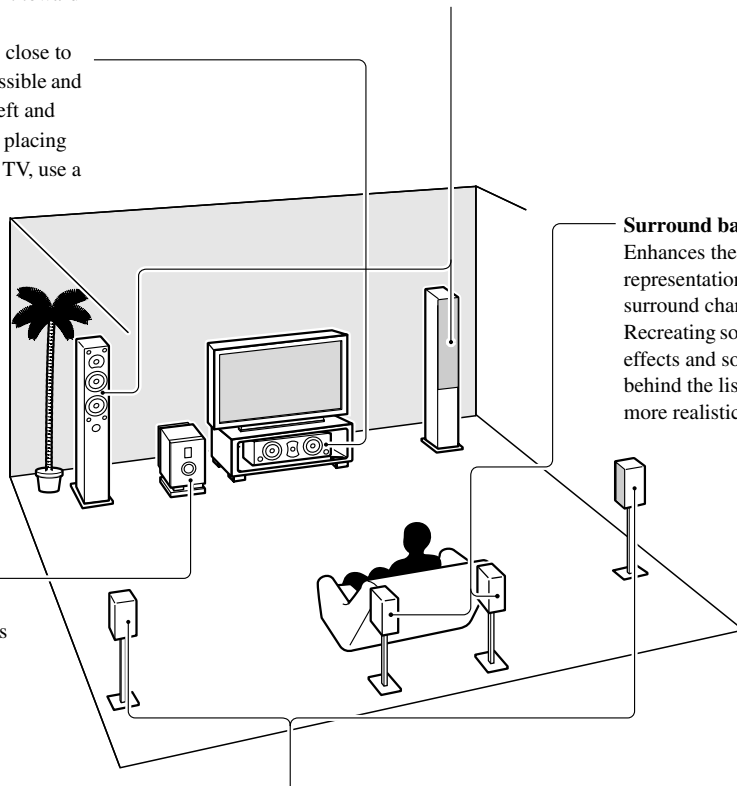
Front left and right speakers

Outputs overall sound. They play the most important role in a home theater system, by creating basic sound images and fields.

- Place the front left and right speakers symmetrically and so that the distance from the listening position is the same.
- When placing speakers, direct the speakers toward the position of the listener's ears where the listener sits to enjoy music or movies.

Subwoofer

Outputs only bass sounds to enhance and complement bass sound effects.



Surround back speakers

Enhances the sound space representation with surround channel signals. Recreating sound movement effects and sound fields behind the listener gives a more realistic experience.

Surround left and right speakers

Enhances the sensation of being at a live performance by giving three-dimensional sound movement to the sound effects.

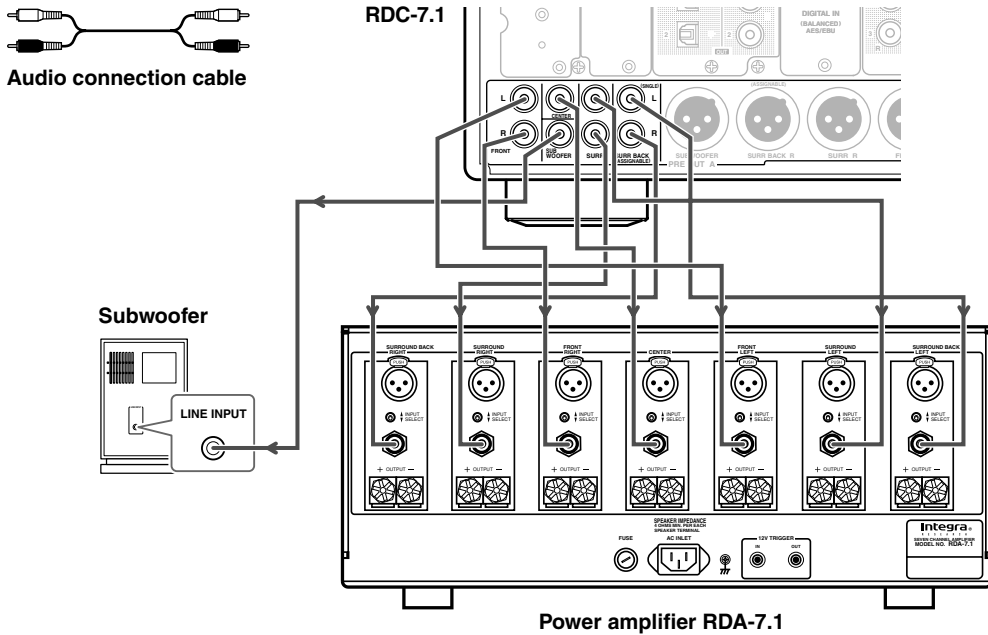
- Place these speakers on each side of, or angled behind, the listener.
- Place the surround speakers symmetrically from the listener position and so that the distance from the listener is equal between left and right surround speakers.

- For optimum surround playback, set the distance between the listener and the speakers so that the time it takes the sound to reach the listener is the same. Also, you need to set each speaker volume level individually in order to balance the volume level between speakers (See pages 92 to 94 in the main manual).

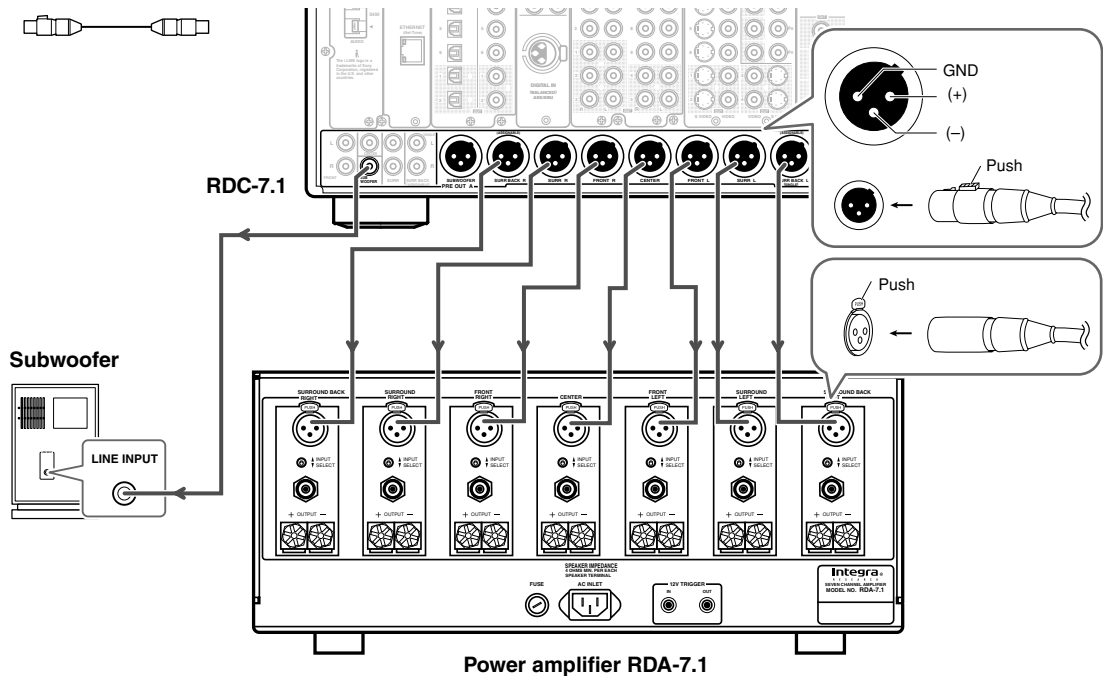
Connecting a Power Amplifier

You can connect the RDC-7.1 (PRE OUT A terminals) and the power amplifier through RCA terminals using RCA type audio pin cables. Also you can connect the amplifiers through XLR (Balanced) type terminals using XLR type cables. The figure below illustrates the connection to the RDA-7.1, a power amplifier of the same product series. For connecting speakers, refer to the instruction manual that comes with your amplifier.

Connecting through RCA type PRE OUT A terminals



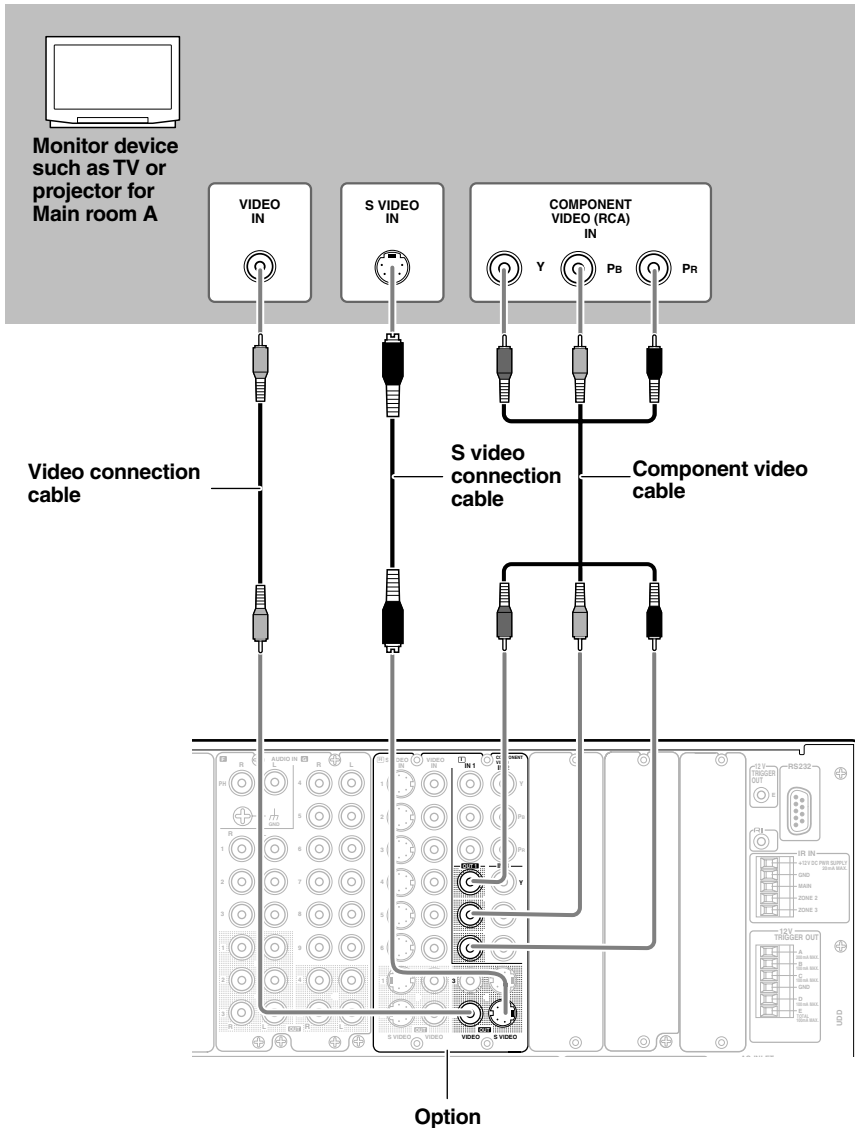
Connecting through XLR (Balanced) type PRE OUT A terminals



Connecting Monitors such as TV or Projector

An appropriate option board [H] [I] should be installed to connect a TV or a projector.

- This section describes the connections for displaying the video source or the operating information of the RDC-7.1 on a monitor device such as a TV or projector. Before making a connection, check the terminal types on the monitor device and acquire the necessary cables by referring to page 31 in the main manual.
- When your TV or monitor has various types of input terminals, use the connection with which you can get the best video quality. On TV screen or projector which is connected via COMPONENT terminal, you can view the images from devices connected via VIDEO, S-VIDEO or COMPONENT terminal, because the RDC-7.1 has a built-in video-up converter. However, you cannot view the images from devices connected via COMPONENT terminal on TV or projector which is connected via VIDEO or S-VIDEO terminal (In this case of connection, images will be available if you use an HDMI terminal board).



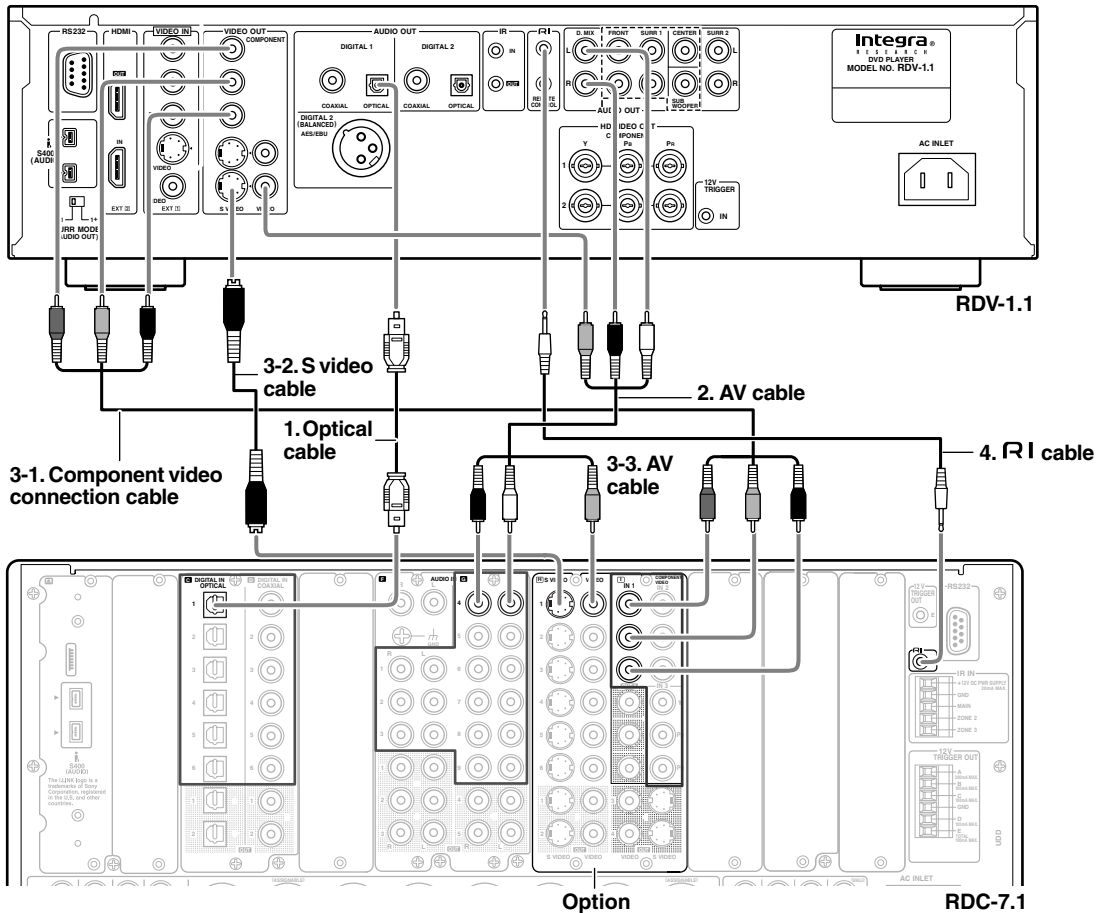
Connecting a DVD Player

An appropriate option board [H] [I] should be installed to connect a DVD player.

The description here guides you to make connection between the RDC-7.1 and your DVD player in a quickest way where no modification is required for the default settings of the unit. The guidance is divided into 4 ways depending on the type of DVD player: If you have an IntegraRESEARCH RDV-1.1, follow the steps in this page for the typical connection procedure. If you plan to connect your DVD player, including the RDV-1.1, via the i.LINK terminal, refer to page 5. If you have a universal DVD player without i.LINK terminals to connect, refer to page 6. Finally, if you have any other DVD player than shown above, go to page 33 in the main manual.

Connecting to an IntegraRESEARCH DVD player RDV-1.1

1. Use an optical cable to connect the RDC-7.1's DIGITAL IN OPTICAL 1 to the AUDIO OUT DIGITAL 1 OPTICAL on your RDV-1.1.
2. Use an AV cable to connect the RDC-7.1's AUDIO IN 4 L/R to the AUDIO OUT D. MIX L/R on your RDV-1.1.
3. Follow one of the instructions shown below to make a connection for video input.
 1. Use a component video connection cable to connect the RDC-7.1's COMPONENT VIDEO IN 1 to the VIDEO OUT COMPONENT on your RDV-1.1. Note that TV or projector must also be connected via COMPONENT terminal.
 2. Use a S video cable to connect the RDC-7.1's S VIDEO IN 1 to the VIDEO OUT S VIDEO on your RDV-1.1.
 3. Use an AV cable to connect the RDC-7.1's VIDEO IN 1 to the video output on your RDV-1.1.
4. Use an RI cable to connect the RDC-7.1's RI terminal to the RI REMOTE CONTROL on your RDV-1.1.



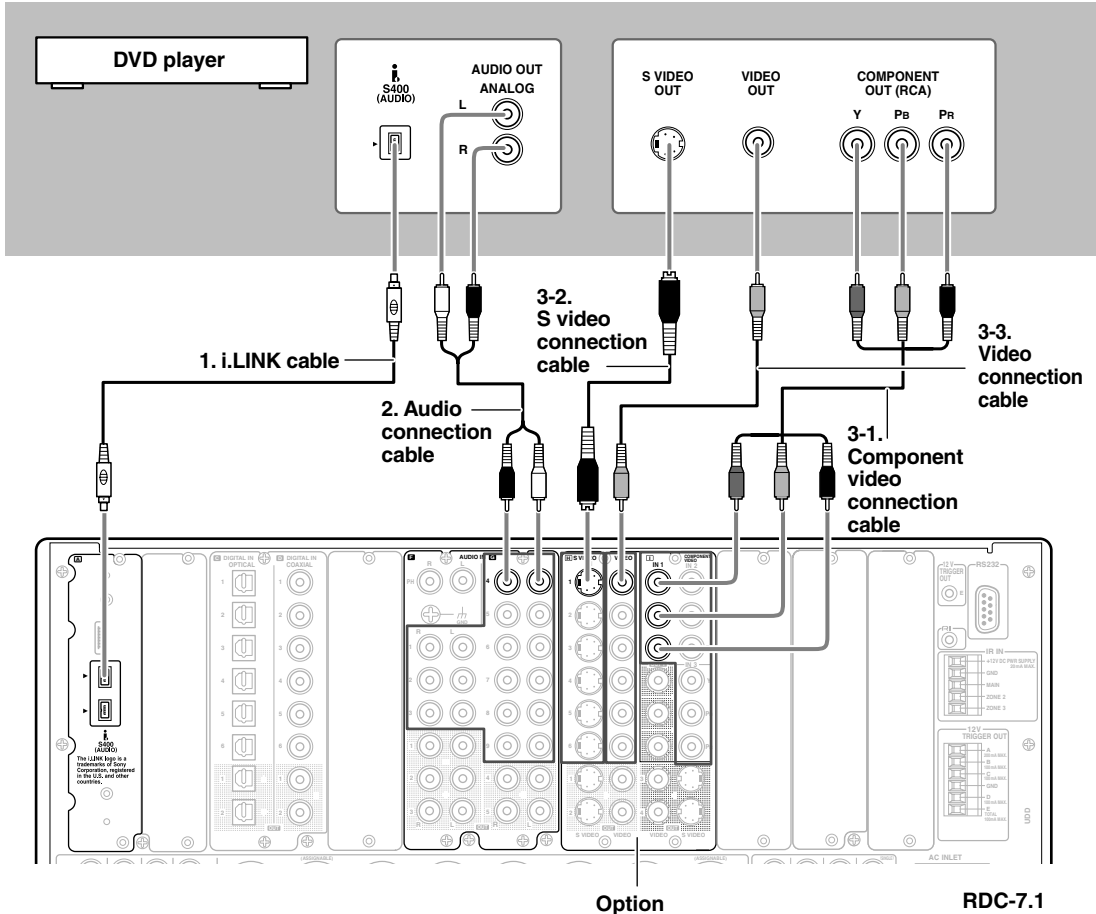
Note:

If your AV Controller has i.LINK terminals, see page 5.

Connecting to DVD player with i.LINK terminal

Disconnect the **RI** cable when this type of connection is made on an IntegraRESEARCH/Onkyo DVD player.

1. Use the **S400 4-pin i.LINK cable** to connect the **i.LINK (AUDIO) terminal on the RDC-7.1 to the i.LINK (AUDIO) terminal on the i.LINK (AUDIO)-enabled DVD player.**
2. **(Recommended)** Use an audio connection cable to connect the **RDC-7.1's AUDIO IN 4 L/R to the analog audio output on your DVD player.**
3. **Follow one of the instructions shown below to make a connection for video input.**
(An appropriate option board [H] [I] should be installed to connect a DVD player.)
 1. Use a component video connection cable to connect the **RDC-7.1's COMPONENT VIDEO IN 1 to the Component Video Output on your DVD player.** Note that TV or projector must also be connected via **COMPONENT** terminal.
 2. Use a S video connection cable to connect the **RDC-7.1's S VIDEO IN 1 to the S Video Output on your DVD player.**
 3. Use a composite video connection cable to connect the **RDC-7.1's VIDEO IN 1 to the video output on your DVD player.**



4. **When the connection is completed, power on the RDC-7.1 and TV (See steps 1 to 5 on page 7).**
5. **Assign the DVD input source.**
(Remote controller)
 1. Press the [Input] button, and then roll the scroll wheel to select "DVD."
 2. Press the scroll wheel, and then press the [Setup] button.
 3. Use the [▲]/[▼] buttons to select "Input Setup," and then press the [Enter] button.
 4. Use the [▲]/[▼] buttons to select "Audio Assign" and then press the [Enter] button.
 5. Use the [▲]/[▼] buttons to select "i.LINK," and then use the [◀]/[▶] buttons to select the DVD player.
 6. After setting, press the [Setup] button.

Connecting to universal DVD player with Multichannel terminal (When an optional Multichannel terminal board is installed on the RDC-7.1)

1. Make a connection for digital audio signal.

If your DVD player has optical output terminal:

Use an optical cable to connect the RDC-7.1's DIGITAL IN OPTICAL 1 to the optical output on your DVD player. Initially, the OPTICAL 1 digital input is assigned to the DVD input source.

If your DVD player has only coaxial output terminal:

Use a coaxial cable to connect the RDC-7.1's DIGITAL IN COAXIAL 1-6 to the coaxial output on your DVD player. And you'll need to reassign the DVD input source after completion of the connection followed by power-on.

1. Press the [Input] button, and then roll the scroll wheel to select "DVD."

2. Press the scroll wheel, and then press the [Setup] button.

3. Use the [▲]/[▼] buttons to select "Input Setup," and then press the [Enter] button.

4. Use the [▲]/[▼] buttons to select "Audio Assign" and then press the [Enter] button.

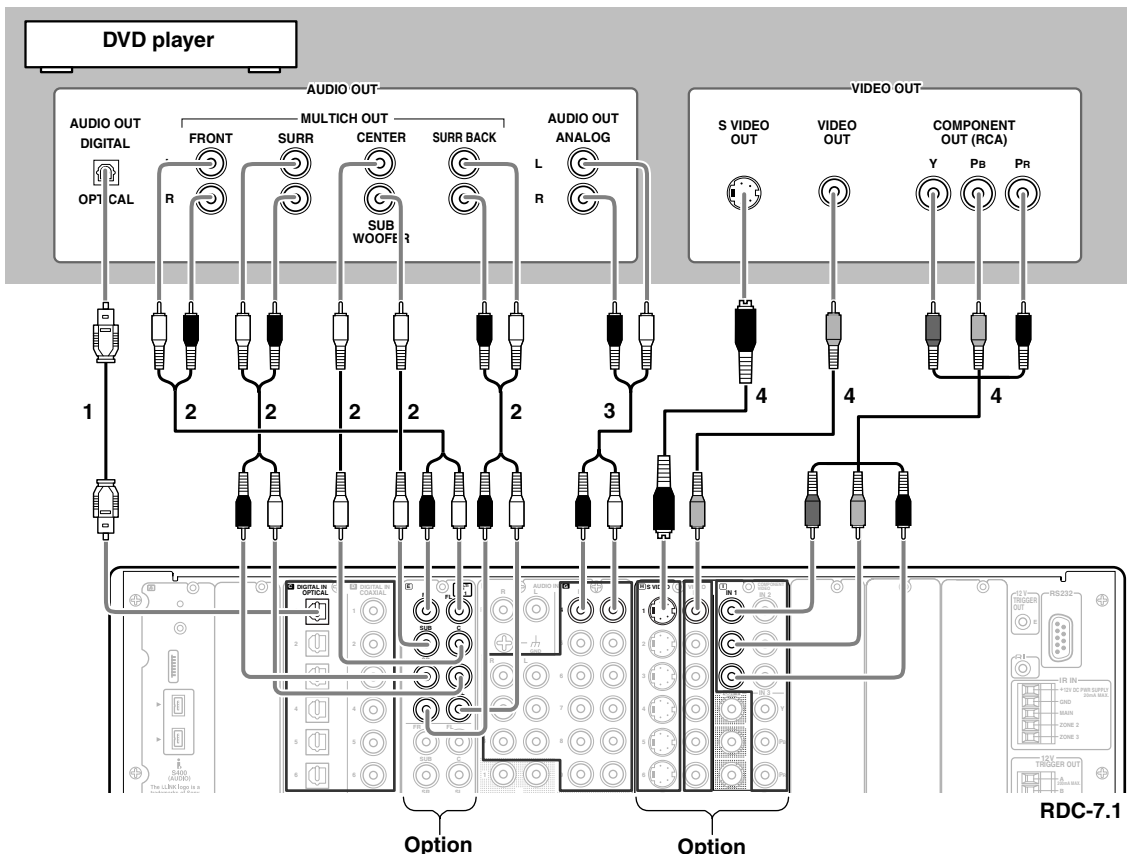
5. Use the [▲]/[▼] buttons to select "Digital Audio," and then use the [◀]/[▶] buttons to select appropriate terminal (Coax 1-Coax 6).

6. After setting, press the [Setup] button.

2. Use three or four audio connection cables or a multichannel connection cable to connect the multichannel output jack on your DVD player to the MULTI-CH IN 1 jack on the RDC-7.1.

3. If your DVD player has 2-channel analog audio output terminals, in addition to those for multichannel output, use an audio connection cable to connect the RDC-7.1's AUDIO IN 4 L/R to the terminals on your DVD player.

4. Make a connection for video input (Refer to step 3 on page 5).



5. When the connection is completed, power on the RDC-7.1 and TV (See steps 1 to 5 on page 7).

6. Assign the DVD input source.

(Remote controller)

1. Press the [Input] button, and then roll the scroll wheel to select "DVD."

2. Press the scroll wheel, and then press the [Setup] button.

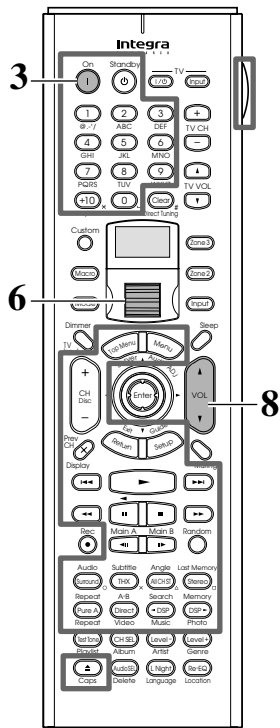
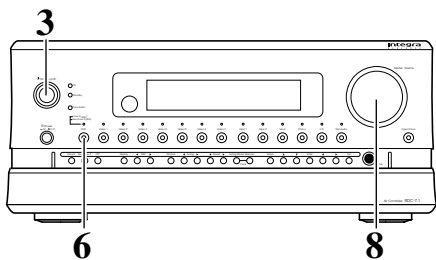
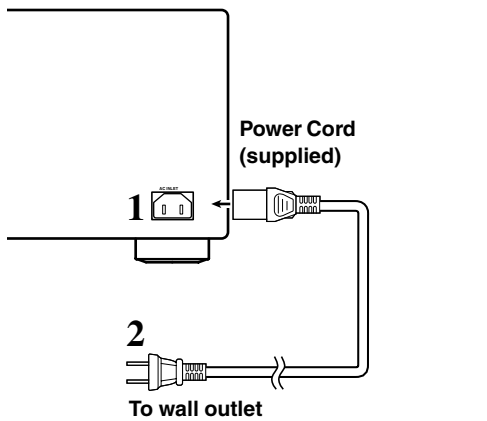
3. Use the [▲]/[▼] buttons to select "Input Setup," and then press the [Enter] button.

4. Use the [▲]/[▼] buttons to select "Audio Assign" and then press the [Enter] button.

5. Use the [▲]/[▼] buttons to select "Multichannel" and then use the [◀]/[▶] buttons to select "1."

6. After setting, press the [Setup] button.

7. If you listen to an SACD or DVD-Audio disc, select "Multich" by pressing the [Audio SEL] button on the remote controller.



Connecting the Supplied Power Cord

1. Plug the supplied power cord into the AC INLET.
2. Plug the other end of the power cord into the wall outlet.

Turning On the RDC-7.1 and playing a DVD

3. Press the [Standby/On] button to turn on the RDC-7.1.
Press the [On] button when using the remote controller.
4. Turn on your DVD player and TV.
5. Select the appropriate input on your TV.
Select the input to which the RDC-7.1 is connected.
6. Select the DVD input source.
Press the [DVD] button on the RDC-7.1.
Roll the scroll wheel to select the DVD input source, when using the remote controller. While neither the [Mode] button nor [Input] button is illuminated, rolling the scroll wheel changes the input source and remote controller mode.
7. Start playback on your DVD player.
Make sure that your DVD player's digital audio output is turned on. On some players, the default setting is off. With some DVD-Video discs, you can select the audio format (Dolby Digital, DTS, PCM) from a menu.
8. Adjust the volume.
Rotate the [Master Volume] dial on the RDC-7.1, or press the [VOL] button on the remote controller, to obtain volume as desired.
The volume can be adjusted from $-\infty$, -81.5 dB to $+18.0$ dB (Max). Since the RDC-7.1 has been designed for home theater enjoyment, it has a wide volume range, allowing precise adjustment.

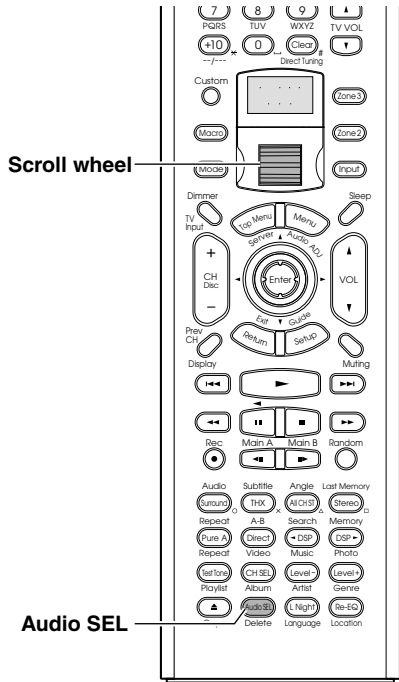
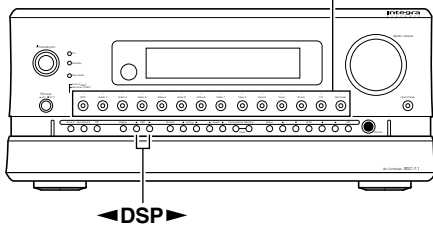
Operating DVD Player with the RDC-7.1's Remote Controller

Remote Control Code must be registered before operating a DVD player from other manufacturers. See page 129 in the main manual.

When using an IntegraRESEARCH/Onkyo DVD player with **RI** connection or i.LINK connection, operate the player with the remote controller pointing at the RDC-7.1.

1. Press the [Mode] button, then roll the scroll wheel to select the DVD Mode.
2. The buttons encircled by gray lines on the left figure are available for operation. See page 124 in the main manual for details.

Input source buttons



Selecting Listening Modes

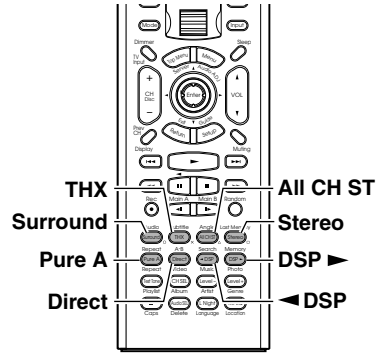
Operating on the RDC-7.1:

Use the [◀] DSP [▶] buttons to select a listening mode.

Operating with the remote controller:

Press the scroll wheel, and then press the listening mode button you want to select.

Available buttons are indicated on the left figure. See page 61 in the main manual for details.



Changing the Audio Mode (Remote control only)

Operating with the remote controller:

Press the scroll wheel, and then press the [Audio SEL] button. See page 57 in the main manual for details.

Other Information

See pages 50 through 51 in the main manual for basic operations with the remote controller.

See pages 68 through 71 in the main manual for details about Zone 2 operations.

See pages 66 through 67 in the main manual for multichannel playing.

Printed in Japan
D0411-1

